



ALBIN PUMP ALH

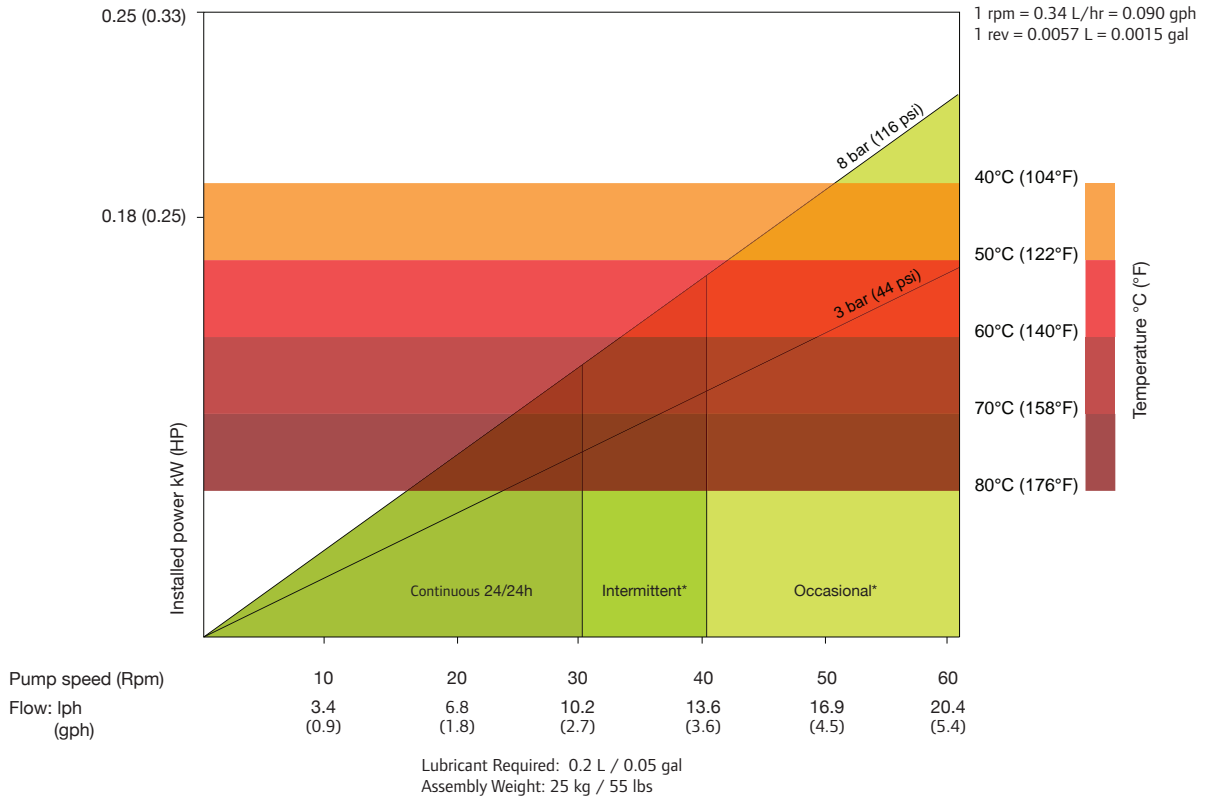
Hose Pumps / Technical Data Sheet





ALH05

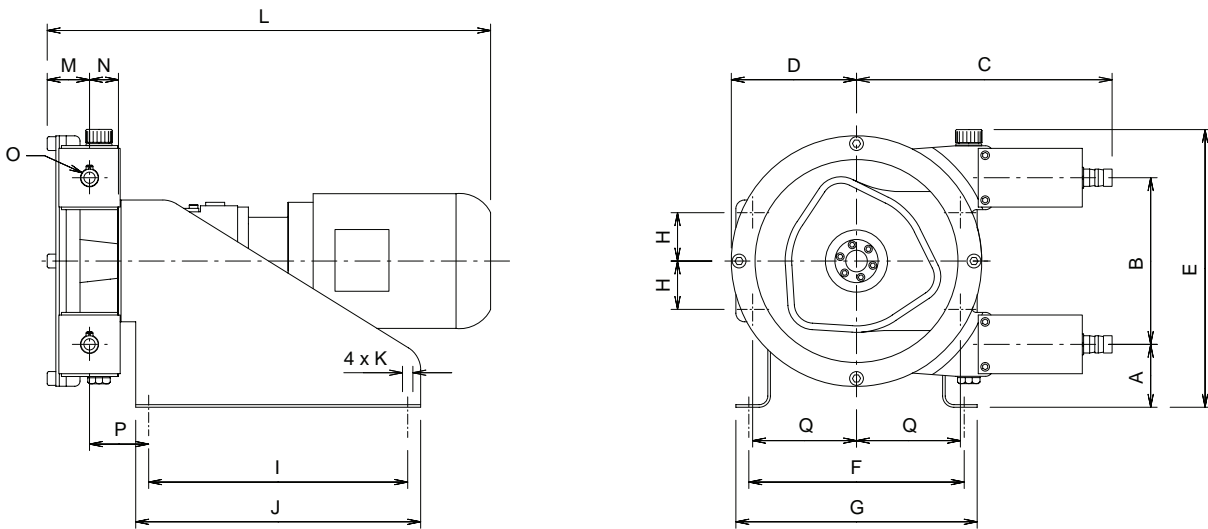
3 Lobes / Data Sheet



*Intermittent use : minimum one hour stop after 2 hours run / *Occasional use : maximum one hour a day

DIMENSIONS

mm (Inch)



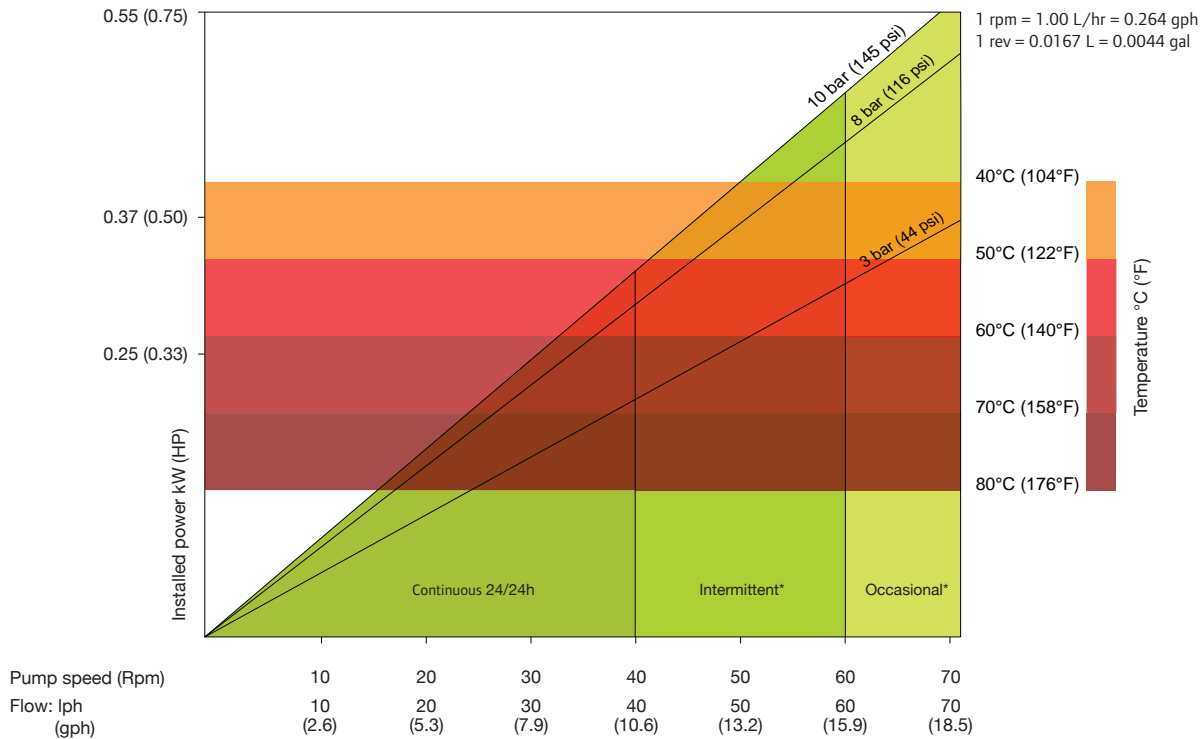
TYPE	A	B	C	D	E	F	G	H	I	J	K	L	M	N	ØO	P	Q
ALH05	104 (4.0)	115 (4.5)	226 (8.9)	95 (3.7)	271 (10.7)	220 (8.7)	240 (9.4)	33.5 (1.3)	260 (10.2)	280 (11.0)	4xø9 (4xø0.35)	-	42.5 (1.7)	36.5 (1.4)	16* (0.6)	66 (2.6)	81.3 (3.2)

* Hose barb



ALH10

3 Lobes / Data Sheet

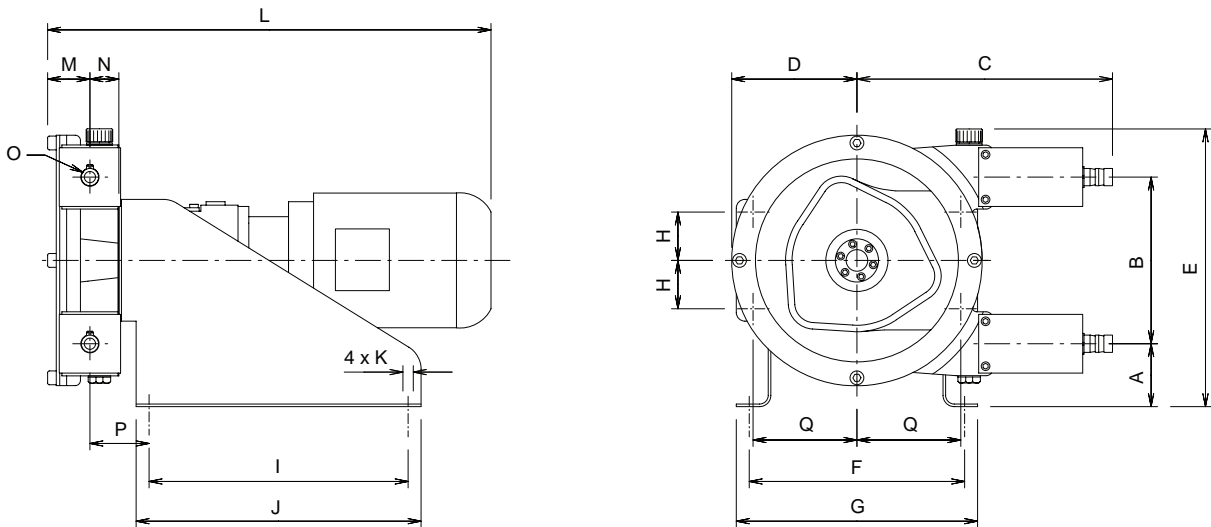


Lubricant Required: 0.2 L / 0.05 gal
Assembly Weight: 25 kg / 55 lbs

*Intermittent use : minimum one hour stop after 2 hours run / *Occasional use : maximum one hour a day

DIMENSIONS

mm (Inch)



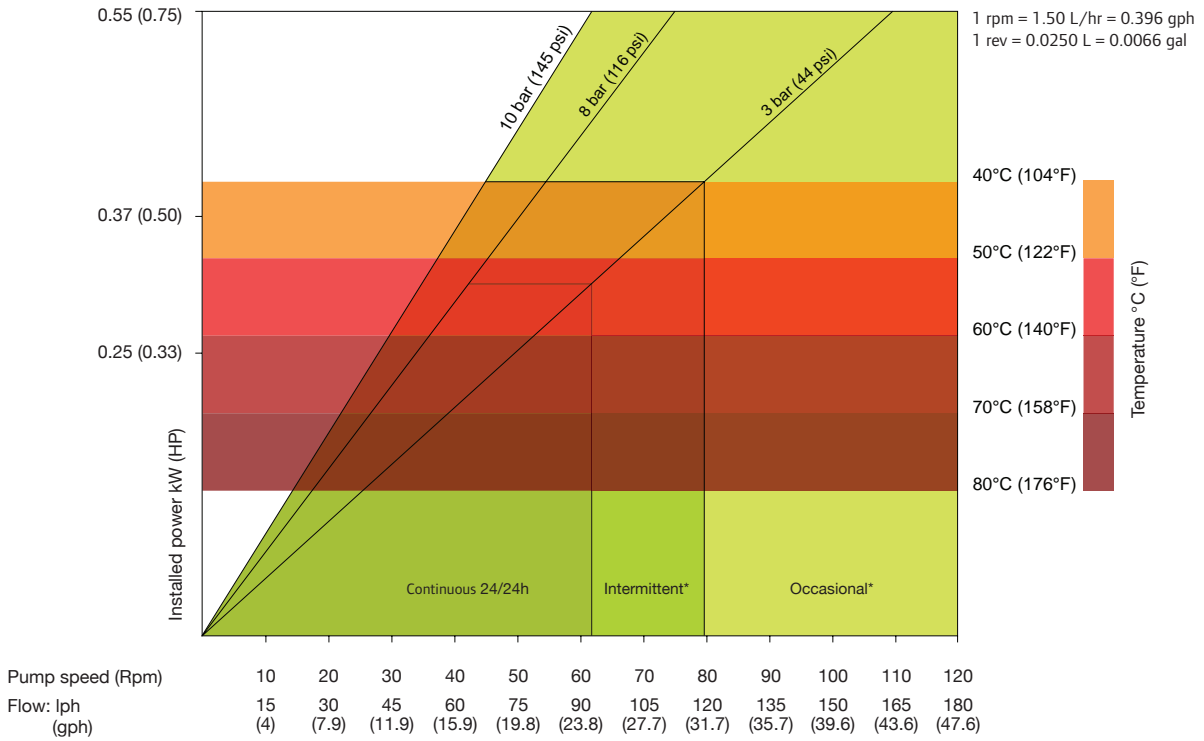
TYPE	A	B	C	D	E	F	G	H	I	J	K	L	M	N	ØO	P	Q
ALH10	104 (4.0)	115 (4.5)	226 (8.9)	95 (3.7)	271 (10.7)	220 (8.7)	240 (9.4)	33.5 (1.3)	260 (10.2)	280 (11.0)	4xø9 (4xø0.35)	-	42.5 (1.7)	36.5 (1.4)	16* (0.6)	66 (2.6)	81.3 (3.2)

* Hose barb



ALH10

Data Sheet

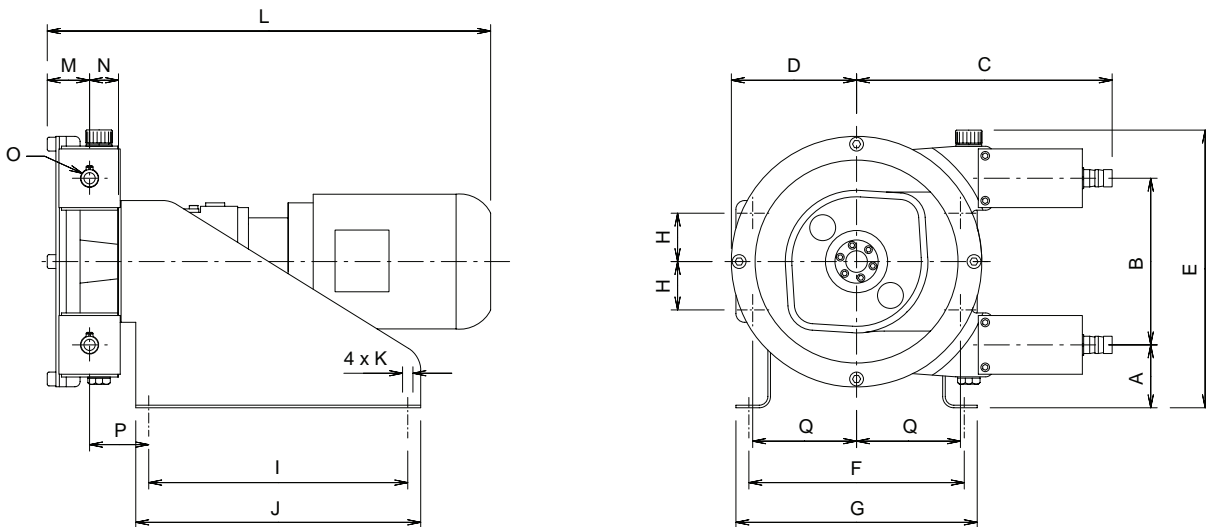


Lubricant Required: 0.2 L / 0.05 gal
Assembly Weight: 25 kg / 55 lbs

*Intermittent use : minimum one hour stop after 2 hours run / *Occasional use : maximum one hour a day

DIMENSIONS

mm (Inch)



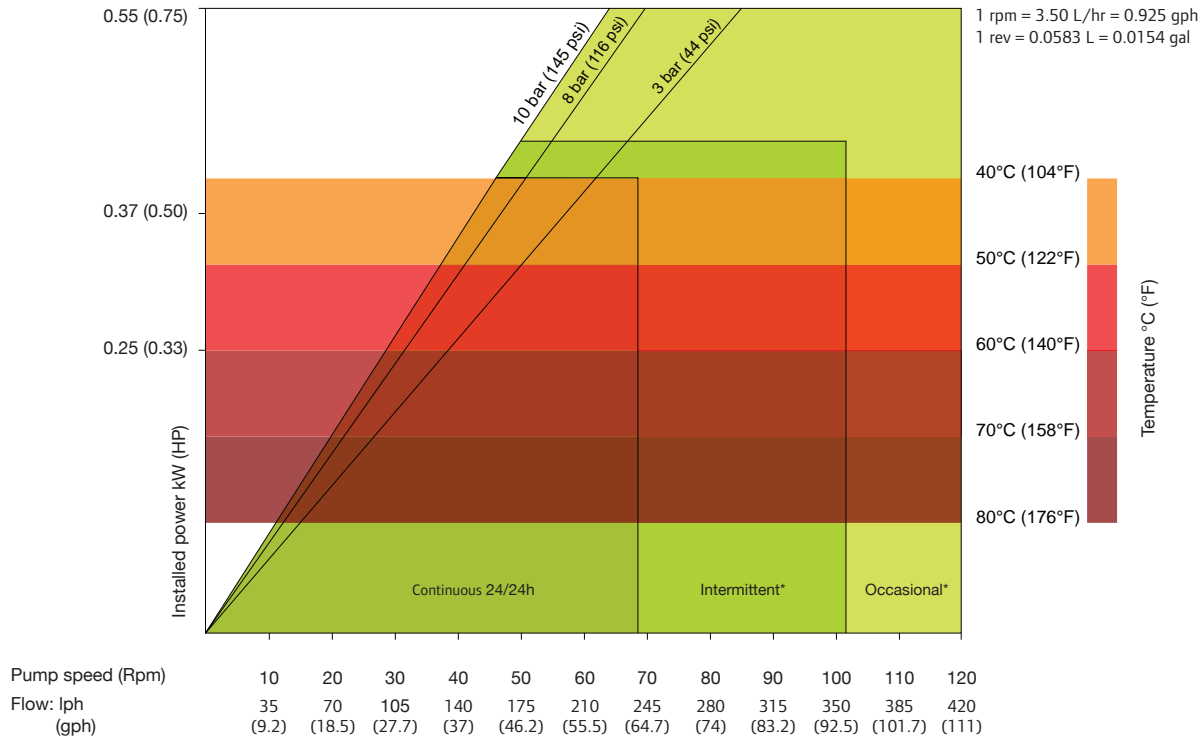
TYPE	A	B	C	D	E	F	G	H	I	J	K	L	M	N	ØO	P	Q
ALH10	104 (4.0)	115 (4.5)	226 (8.9)	95 (3.7)	271 (10.7)	220 (8.7)	240 (9.4)	33.5 (1.3)	260 (10.2)	280 (11.0)	4xø9 (4xø0.35)	-	42.5 (1.7)	36.5 (1.4)	16* (0.6)	66 (2.6)	81.3 (3.2)

* Hose barb



ALH15

3 Lobes / Data Sheet

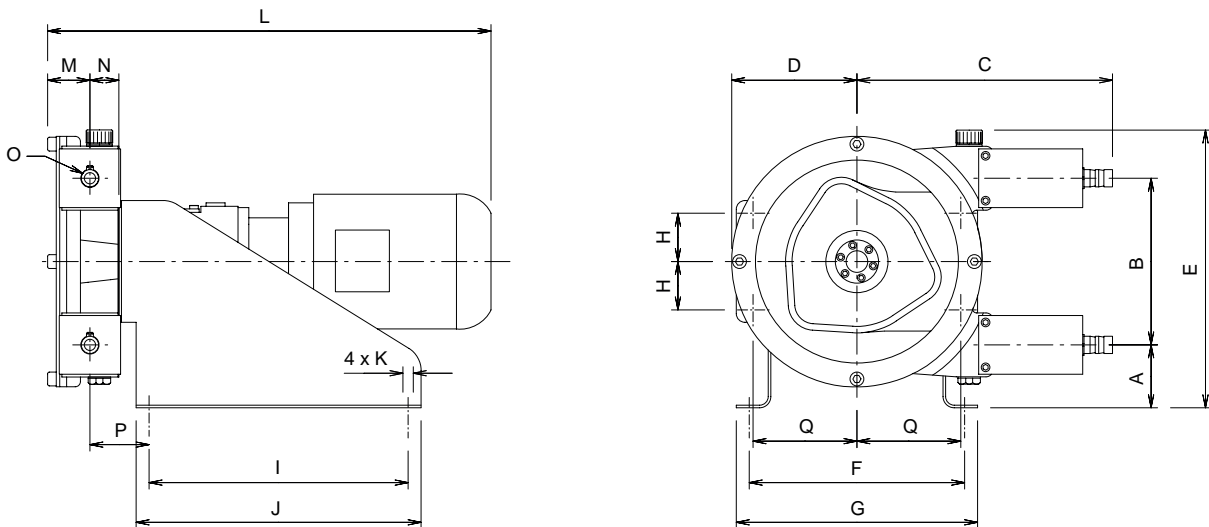


Lubricant Required: 0.55 L / 0.14 gal
Assembly Weight: 35 kg / 77 lbs

*Intermittent use : minimum one hour stop after 2 hours run / *Occasional use : maximum one hour a day

DIMENSIONS

mm (Inch)



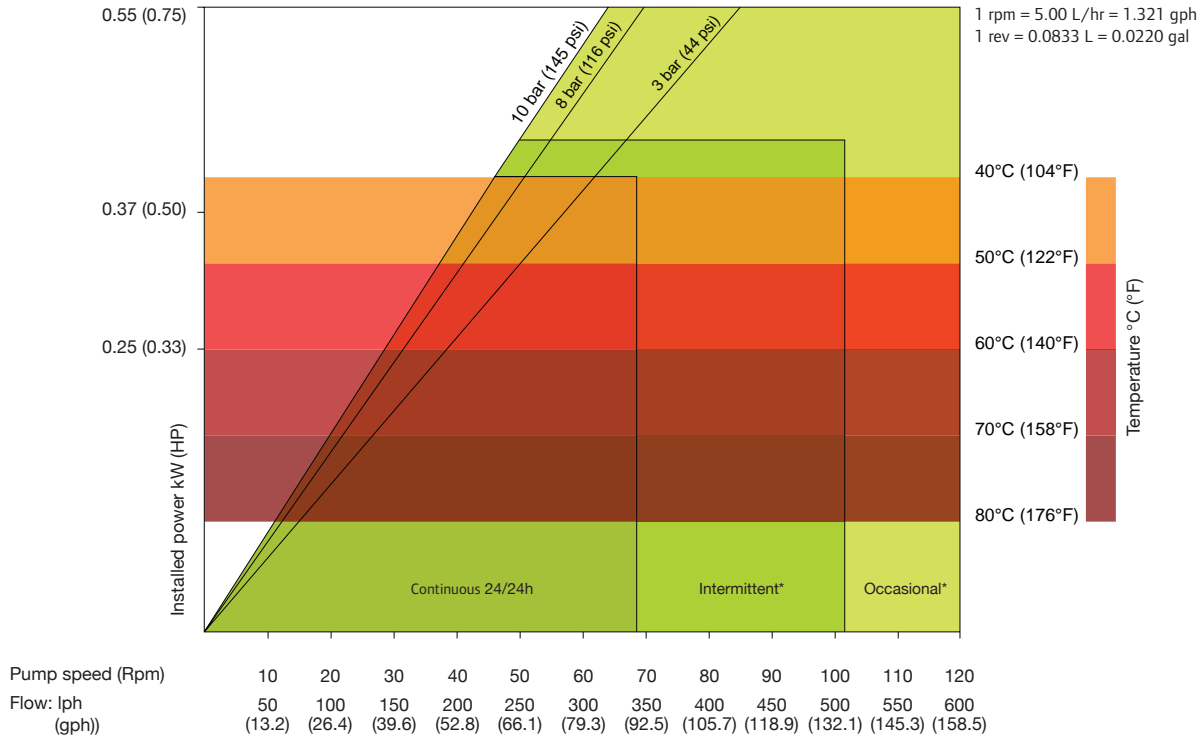
TYPE	A	B	C	D	E	F	G	H	I	J	K	L	M	N	ØO	P	Q
ALH15	73 (2.9)	193 (7.6)	297 (11.7)	145 (5.7)	325 (12.8)	249 (9.8)	280 (11.0)	52 (2.0)	300 (11.8)	330 (13.0)	4xø13 (4xø0.5)	-	46 (1.8)	35.5 (1.4)	20* (0.7)	70.5 (2.8)	124.8 (4.9)

* Hose barb



ALH15

Data Sheet

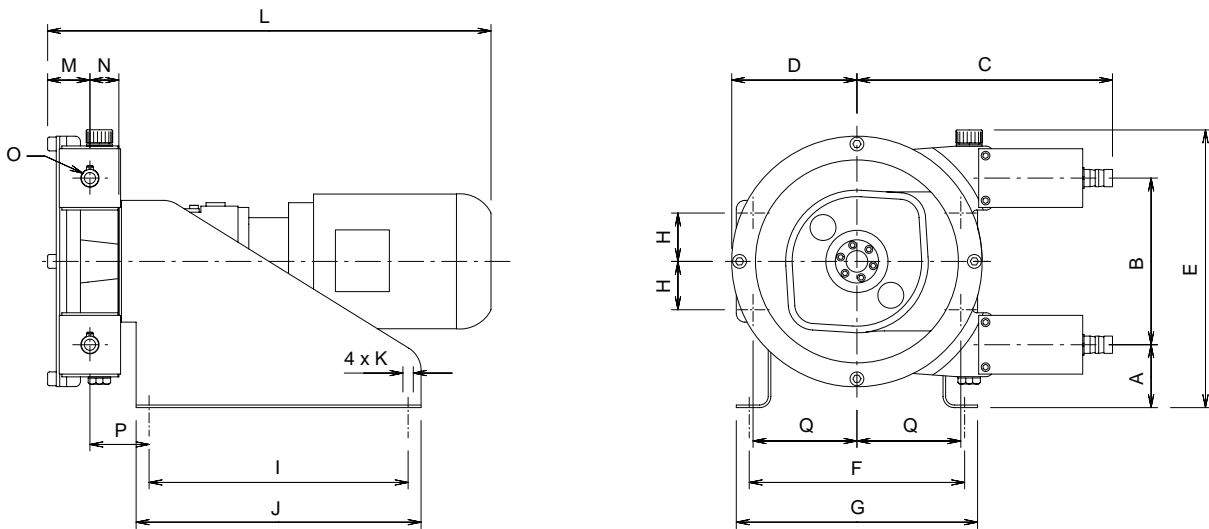


Lubricant Required: 0.55 L / 0.14 gal
Assembly Weight: 35 kg / 77 lbs

*Intermittent use : minimum one hour stop after 2 hours run / *Occasional use : maximum one hour a day

DIMENSIONS

mm (Inch)



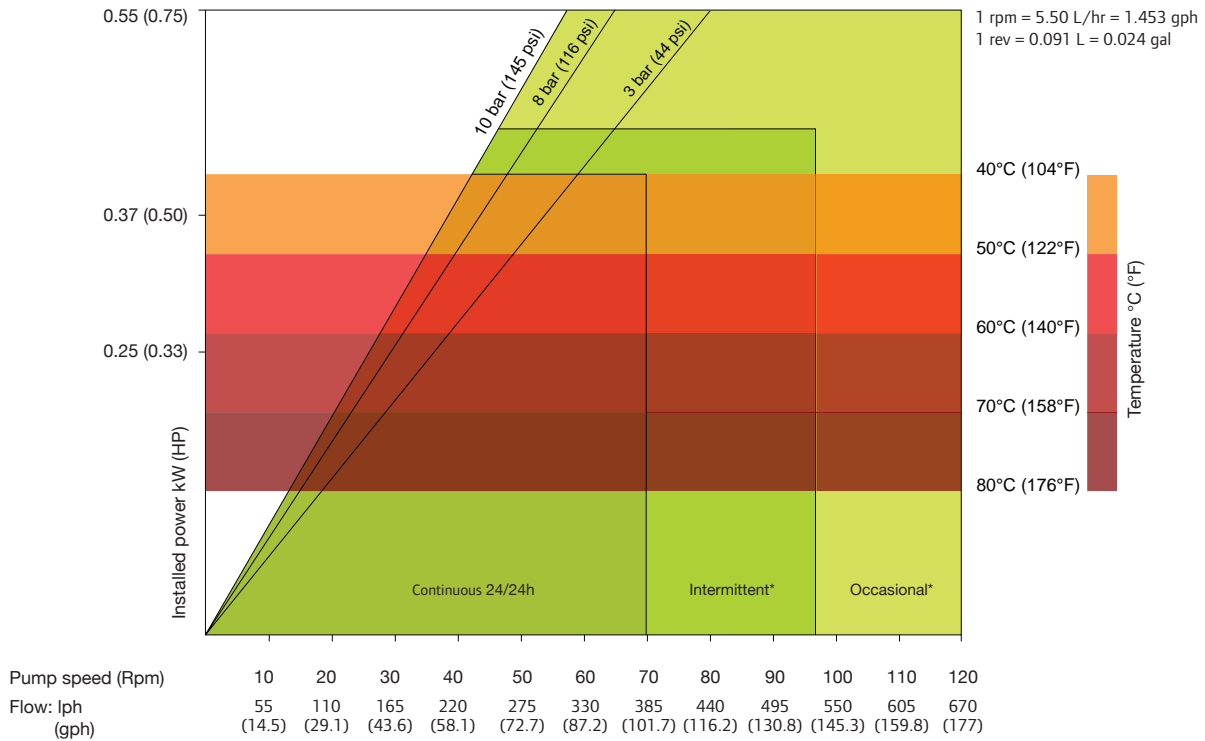
TYPE	A	B	C	D	E	F	G	H	I	J	K	L	M	N	∅O	P	Q
ALH15	73 (2.9)	193 (7.6)	297 (11.7)	145 (5.7)	325 (12.8)	249 (9.8)	280 (11.0)	52 (2.0)	300 (11.8)	330 (13.0)	4xø13 (4xø0.5)	-	46 (1.8)	35.5 (1.4)	20* (0.7)	70.5 (2.8)	124.8 (4.9)

* Hose barb



ALH20

3 Lobes / Data Sheet

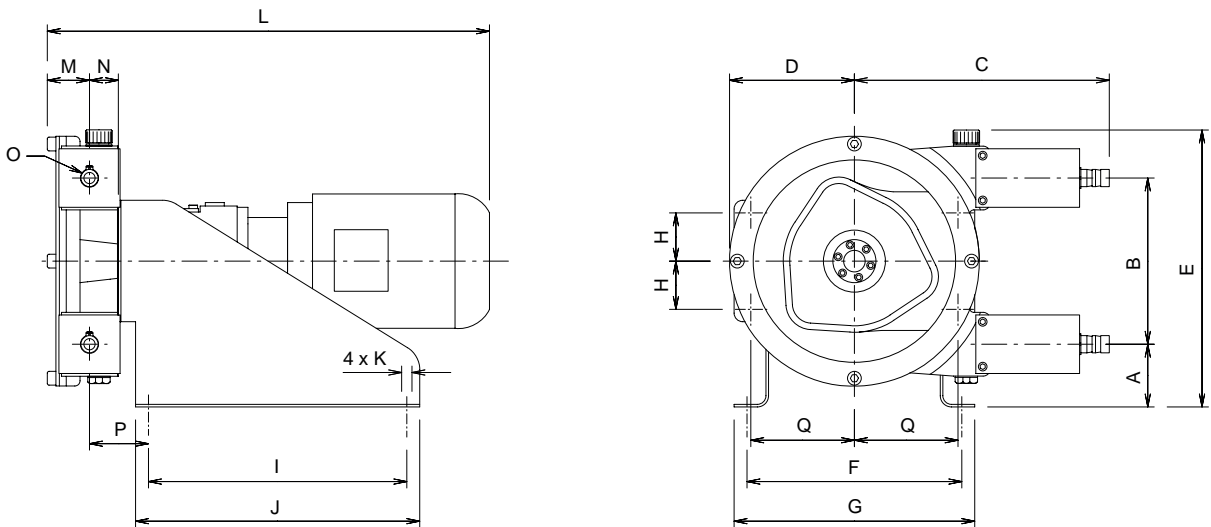


Lubricant Required: 0.55 L / 0.14 gal
Assembly Weight: 35 kg / 77 lbs

*Intermittent use : minimum one hour stop after 2 hours run / *Occasional use : maximum one hour a day

DIMENSIONS

mm (Inch)



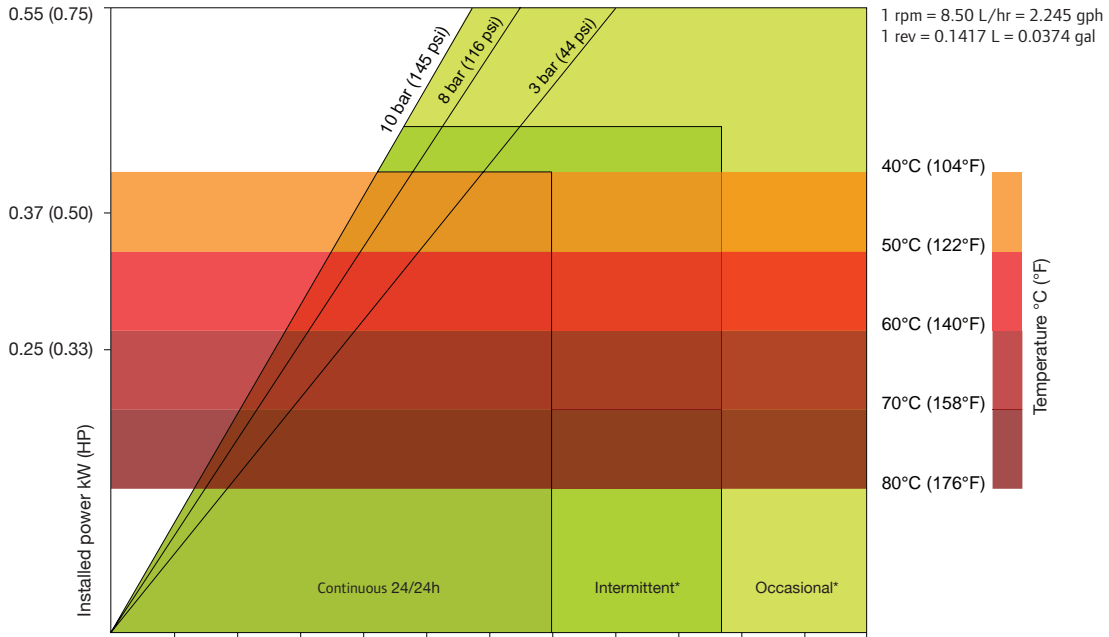
TYPE	A	B	C	D	E	F	G	H	I	J	K	L	M	N	∅O	P	Q
ALH20	73 (2.9)	193 (7.6)	297 (11.7)	145 (5.7)	325 (12.8)	249 (9.8)	280 (11.0)	52 (2.0)	300 (11.8)	330 (13.0)	4x∅13 (4x∅0.5)	-	46 (1.8)	35.5 (1.4)	25* (1.0)	70.5 (2.8)	124.8 (4.9)

* Hose barb



ALH20

Data Sheet



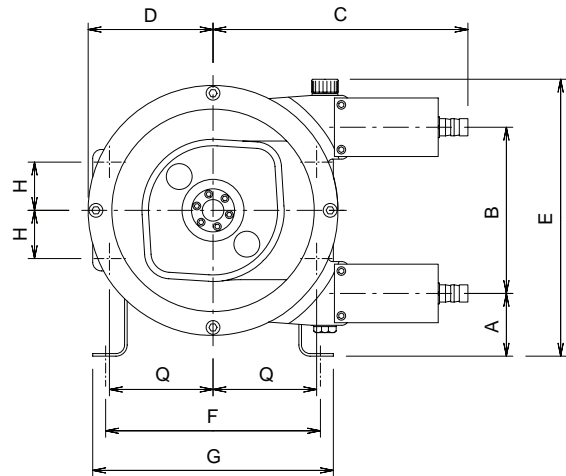
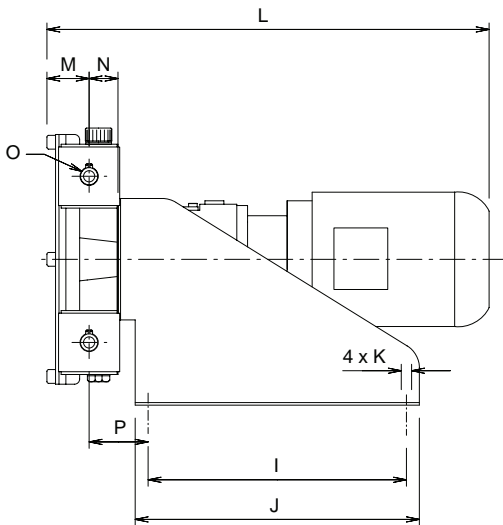
Pump speed (Rpm)	10	20	30	40	50	60	70	80	90	100	110	120
Flow: lph (gph)	85 (22.5)	170 (44.9)	255 (67.4)	340 (89.8)	425 (112.3)	510 (134.7)	595 (157.2)	680 (179.6)	765 (202.1)	850 (224.5)	935 (247)	1020 (269.5)

Lubricant Required: 0.55 L / 0.14 gal
Assembly Weight: 35 kg / 77 lbs

*Intermittent use : minimum one hour stop after 2 hours run / *Occasional use : maximum one hour a day

DIMENSIONS

mm (Inch)



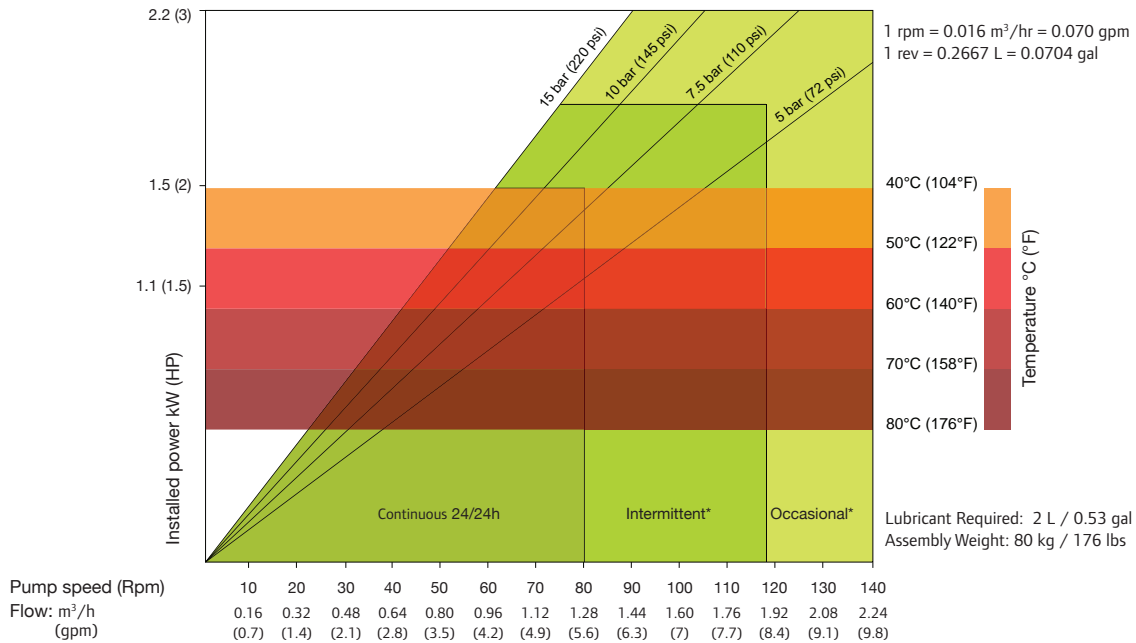
TYPE	A	B	C	D	E	F	G	H	I	J	K	L	M	N	ØO	P	Q
ALH20	73 (2.9)	193 (7.6)	297 (11.7)	145 (5.7)	325 (12.8)	249 (9.8)	280 (11.0)	52 (2.0)	300 (11.8)	330 (13.0)	4xø13 (4xø0.5)	-	46 (1.8)	35.5 (1.4)	25* (1.0)	70.5 (2.8)	124.8 (4.9)

* Hose barb



ALH25

Data Sheet



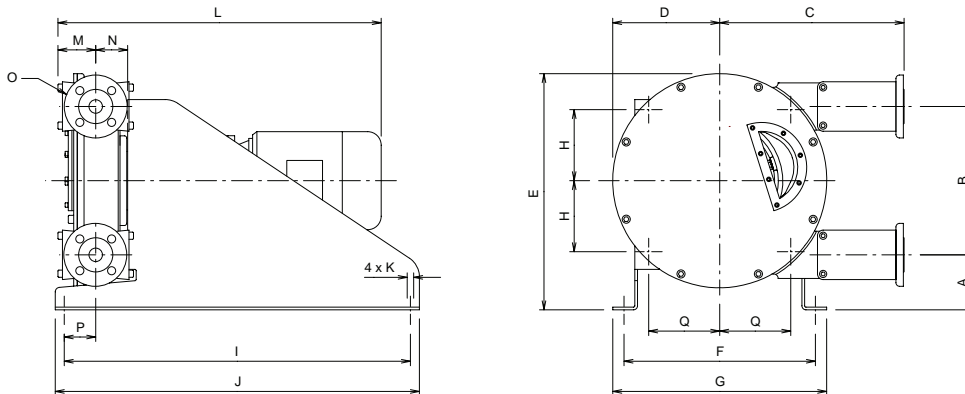
*Intermittent use : minimum one hour stop after 2 hours run / *Occasional use : maximum one hour a day

SHOE SHIMMING TABLE - ALH25		
Pressure bar (psi)	Speed - Rpm	Number of shims* - thickness 0.5 mm (0.019 in)
ΔP ≤ 5 (72.5)	0 to 40	0
	40 to 160	0
5 (72.5) ≤ ΔP ≤ 7.5 (108.75)	0 to 40	2
	40 to 125	1
7.5 (108.75) ≤ ΔP ≤ 10 (145)	0 to 40	3
	40 to 105	2
10 (145) ≤ ΔP ≤ 15 (217.5)	0 to 40	4
	40 to 90	3

*Remove one shim if temperature exceeds 60° Celsius (140° Fahrenheit)

DIMENSIONS

mm (Inch)

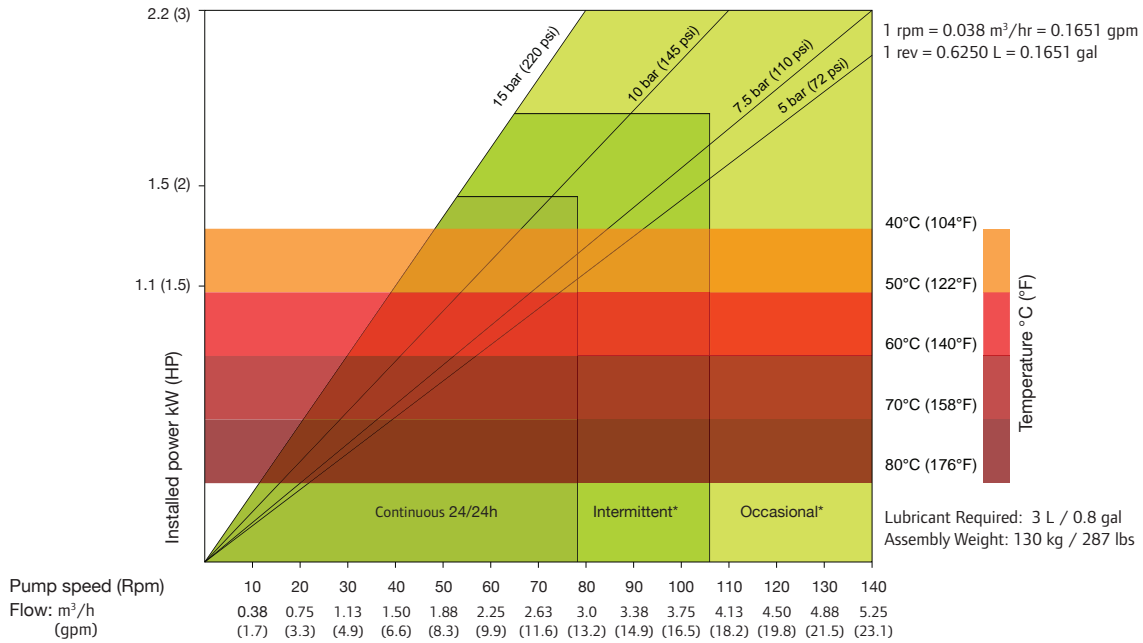


TYPE	A	B	C	D	E	F	G	H	I	J	K	L	M	N	O	P	Q
ALH25	95 (3.7)	262 (10.3)	356 (14.0)	134 (5.3)	430 (17)	307 (12.0)	347 (13.7)	110 (4.3)	520 (20.5)	550 (21.6)	4xø13 (4xø0.5)	-	62 (2.4)	62 (2.4)	DN25 PN16 ANSI 1 in / 150#	71 (2.8)	110 (4.3)



ALH32

Data Sheet



*Intermittent use : minimum one hour stop after 2 hours run / *Occasional use : maximum one hour a day

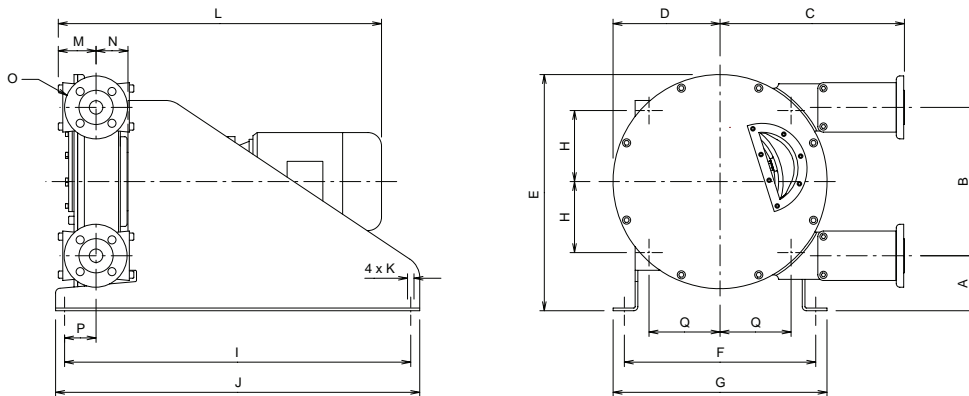
SHOE SHIMMING TABLE - ALH32

Pressure bar (psi)	Speed - Rpm	Number of shims* - thickness 0.5 mm (0.019 in)
$\Delta P \leq 5$ (72.5)	0 to 45	0
	45 to 140	0
5 (72.5) $\leq \Delta P \leq 7.5$ (108.75)	0 to 45	2
	45 to 140	1
7.5 (108.75) $\leq \Delta P \leq 10$ (145)	0 to 45	3
	45 to 110	2
10 (145) $\leq \Delta P \leq 15$ (217.5)	0 to 45	4
	45 to 80	3

*Remove one shim if temperature exceeds 60° Celsius (140° Fahrenheit)

DIMENSIONS

mm (Inch)

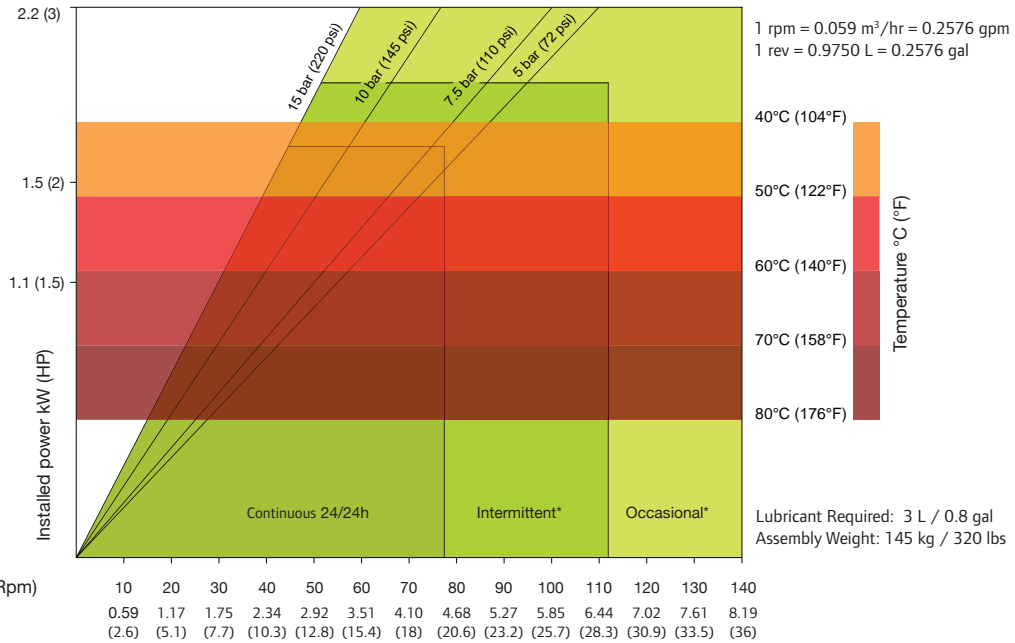


TYPE	A	B	C	D	E	F	G	H	I	J	K	L	M	N	O	P	Q
ALH32	121 (4.8)	330 (13.0)	438 (17.2)	237 (9.3)	524 (20.6)	424 (16.7)	474 (18.7)	158 (6.2)	770 (30.3)	800 (31.5)	4xø13 (4xø0.5)	-	85 (3.3)	75 (2.9)	DN32 PN16 ANSI 1.25 in / 150#	91.5 (3.6)	158 (6.2)



ALH40

Data Sheet



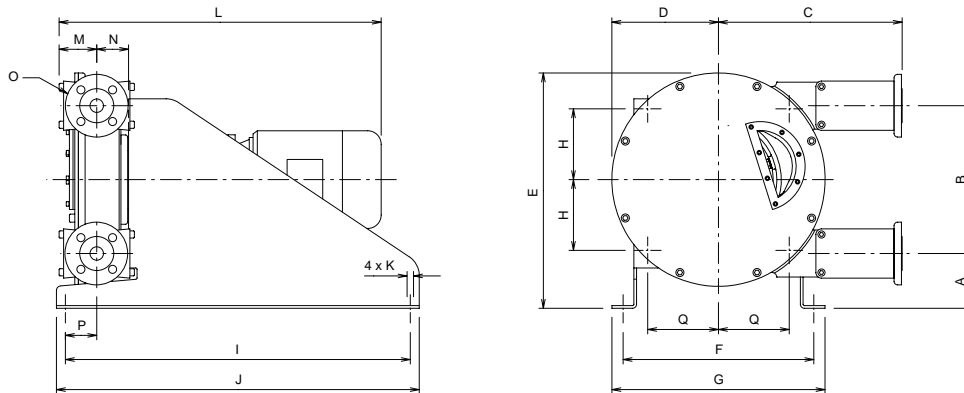
*Intermittent use : minimum one hour stop after 2 hours run / *Occasional use : maximum one hour a day

SHOE SHIMMING TABLE - ALH40		
Pressure bar (psi)	Speed - Rpm	Number of shims* - thickness 0.5 mm (0.019 in)
$\Delta P \leq 5$ (72.5)	0 to 40	0
	40 to 160	0
5 (72.5) $\leq \Delta P \leq 7.5$ (108.75)	0 to 40	2
	40 to 125	1
7.5 (108.75) $\leq \Delta P \leq 10$ (145)	0 to 40	3
	40 to 105	2
10 (145) $\leq \Delta P \leq 15$ (217.5)	0 to 40	4
	40 to 90	3

*Remove one shim if temperature exceeds 60° Celsius (140° Fahrenheit)

DIMENSIONS

mm (Inch)

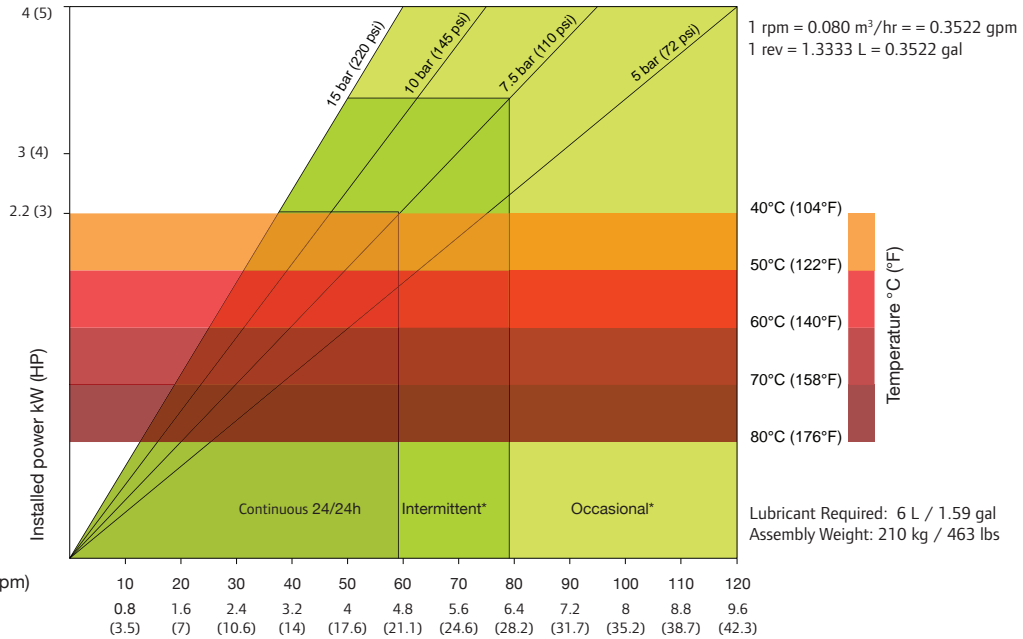


TYPE	A	B	C	D	E	F	G	H	I	J	K	L	M	N	O	P	Q
ALH40	121 (4.8)	330 (13.0)	438 (17.2)	237 (9.3)	524 (20.6)	424 (16.7)	474 (18.7)	158 (6.2)	770 (30.3)	800 (31.5)	4xø13 (4xø0.5)	-	85 (3.3)	75 (2.9)	DN40 PN16 ANSI 1.5 in / 150#	91.5 (3.6)	158 (6.2)



ALHX40

Data Sheet



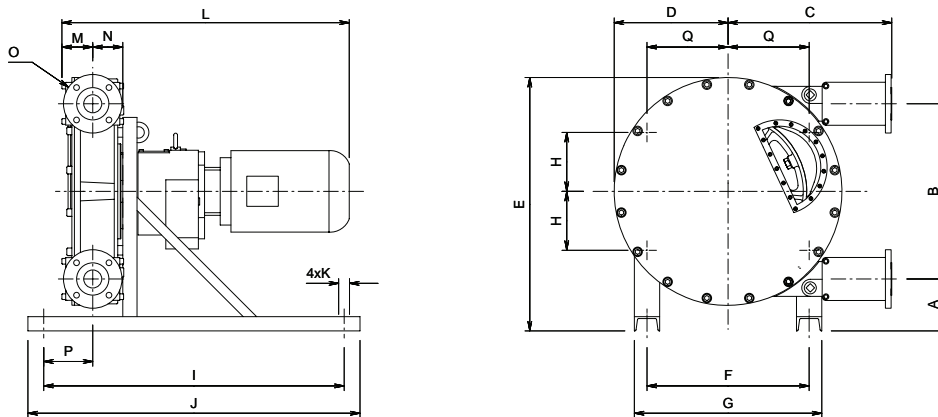
*Intermittent use : minimum one hour stop after 2 hours run / *Occasional use : maximum one hour a day

SHOE SHIMMING TABLE - ALHX40		
Pressure bar (psi)	Speed - Rpm	Number of shims* - thickness 0.5 mm (0.019 in)
$\Delta P \leq 5$ (72.5)	0 to 40	0
	40 to 120	0
5 (72.5) $\leq \Delta P \leq 7.5$ (108.75)	0 to 40	2
	40 to 95	1
7.5 (108.75) $\leq \Delta P \leq 10$ (145)	0 to 40	3
	40 to 75	2
10 (145) $\leq \Delta P \leq 15$ (217.5)	0 to 40	4
	40 to 60	3

*Remove one shim if temperature exceeds 60° Celsius (140° Fahrenheit)

DIMENSIONS

mm (Inch)

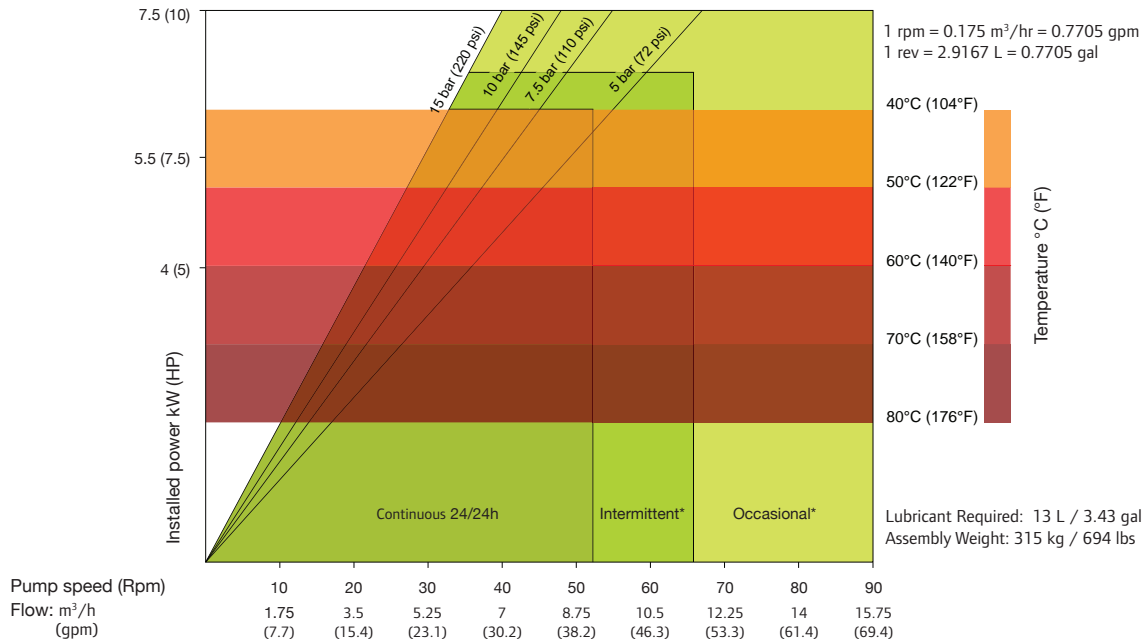


TYPE	A	B	C	D	E	F	G	H	I	J	K	L	M	N	O	P	Q
ALHX40	110 (4.3)	430 (16.9)	414 (16.3)	294 (11.6)	619 (24.4)	340 (13.4)	420 (16.5)	159.4 (6.3)	850 (33.5)	950 (37.4)	4xø19 (4xø0.7)	-	74 (2.9)	64 (2.5)	DN40 PN16 ANSI 1.5 in / 150#	87 (3.4)	159.4 (6.3)



ALH50

Data Sheet



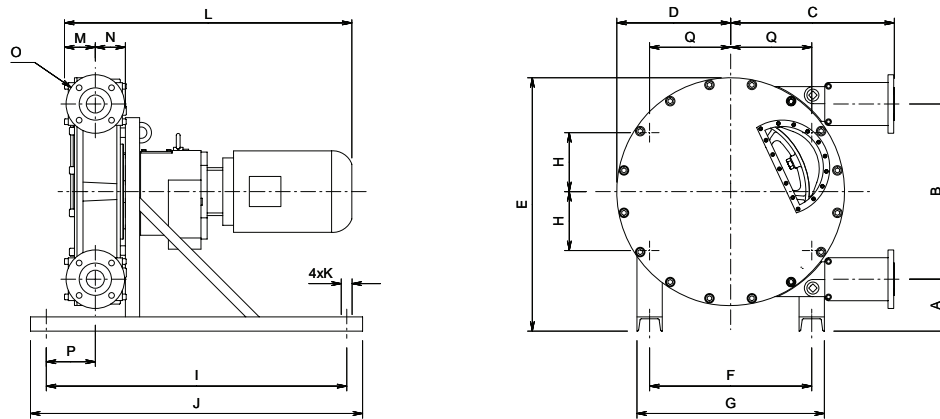
*Intermittent use : minimum one hour stop after 2 hours run / *Occasional use : maximum one hour a day

SHOE SHIMMING TABLE - ALH50		
Pressure bar (psi)	Speed - Rpm	Number of shims* - thickness 0.5 mm (0.019 in)
$\Delta P \leq 5$ (72.5)	0 to 30	0
	30 to 90	0
5 (72.5) $\leq \Delta P \leq 7.5$ (108.75)	0 to 30	2
	30 to 65	1
7.5 (108.75) $\leq \Delta P \leq 10$ (145)	0 to 30	3
	30 to 50	2
10 (145) $\leq \Delta P \leq 15$ (217.5)	0 to 30	4
	30 to 42	3

*Remove one shim if temperature exceeds 60° Celsius (140° Fahrenheit)

DIMENSIONS

mm (Inch)

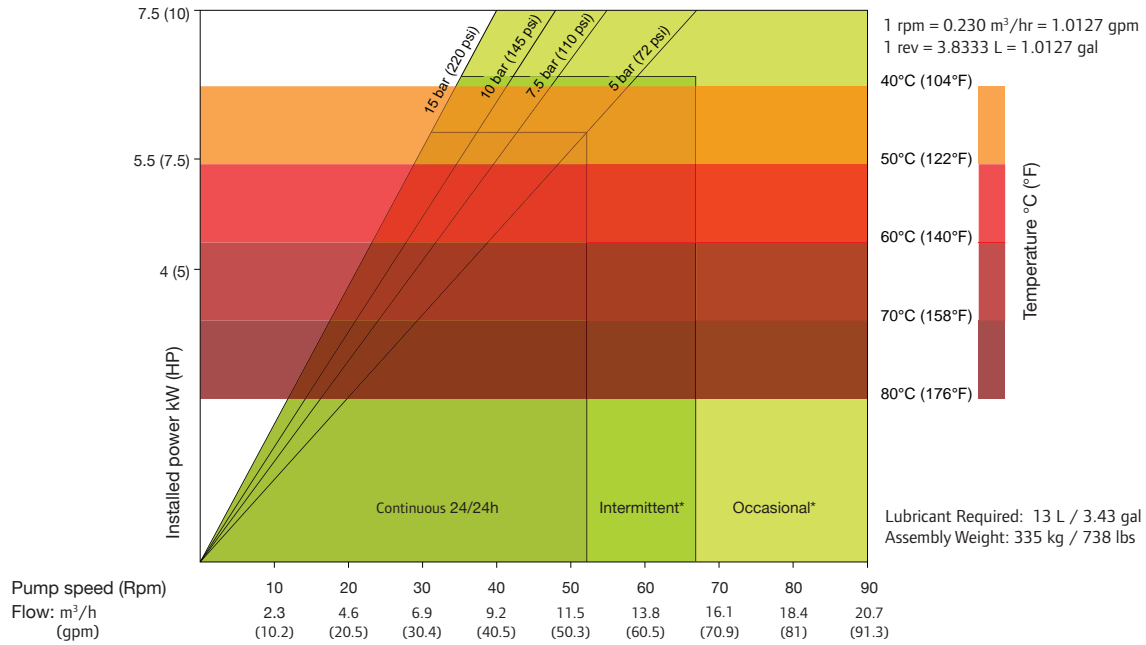


TYPE	A	B	C	D	E	F	G	H	I	J	K	L	M	N	O	P	Q
ALH50	164 (6.4)	554 (21.8)	522 (20.5)	360 (14.2)	801 (31.5)	513 (20.2)	593 (23.3)	257 (10.1)	950 (37.4)	1050 (41.3)	4xø19 (4xø0.7)	-	99.5 (3.91)	87.6 (3.4)	DN50 PN16 ANSI 2 in / 150#	148 (5.8)	186.5 (7.3)



ALH65

Data Sheet



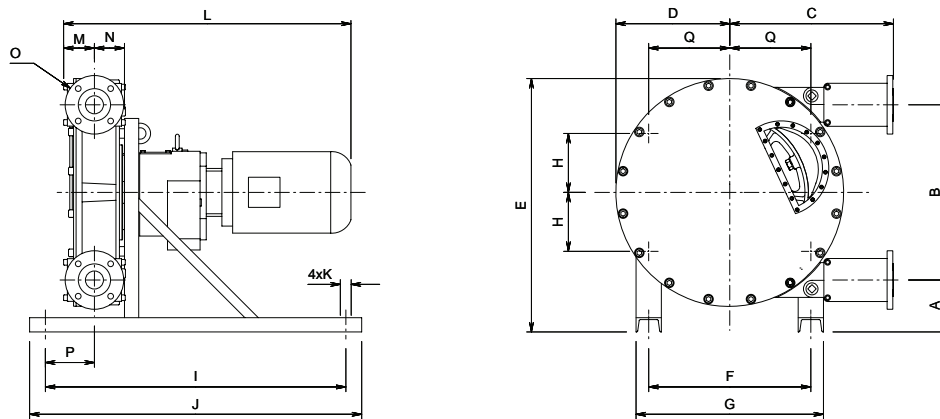
*Intermittent use : minimum one hour stop after 2 hours run / *Occasional use : maximum one hour a day

SHOE SHIMMING TABLE - ALH65		
Pressure bar (psi)	Speed - Rpm	Number of shims* - thickness 0.5 mm (0.019 in)
$\Delta P \leq 5$ (72.5)	0 to 30	0
	30 to 90	0
5 (72.5) $\leq \Delta P \leq 7.5$ (108.75)	0 to 30	2
	30 to 55	1
7.5 (108.75) $\leq \Delta P \leq 10$ (145)	0 to 30	3
	30 to 47.5	2
10 (145) $\leq \Delta P \leq 15$ (217.5)	0 to 30	4
	30 to 40	3

*Remove one shim if temperature exceeds 60° Celsius (140° Fahrenheit)

DIMENSIONS

mm (Inch)

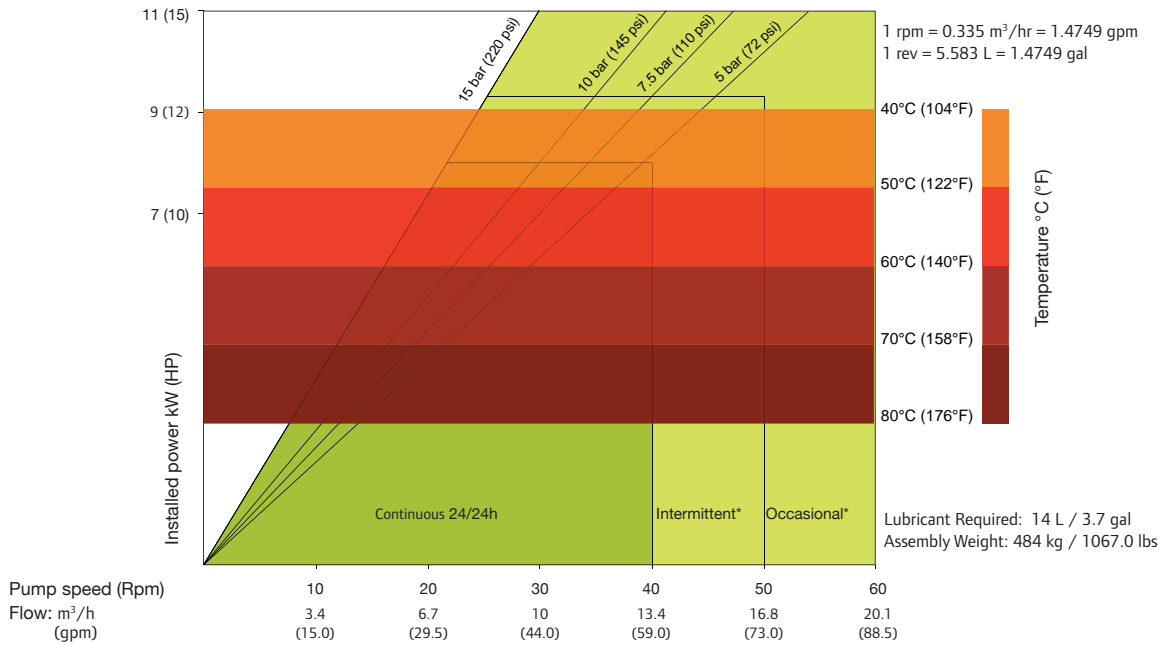


TYPE	A	B	C	D	E	F	G	H	I	J	K	L	M	N	O	P	Q
ALH65	164 (6.4)	554 (21.8)	522 (20.5)	360 (14.2)	801 (31.5)	513 (20.2)	593 (23.3)	257 (10.1)	950 (37.4)	1050 (41.3)	4xø19 (4xø0.7)	-	99.5 (3.91)	87.6 (3.4)	DN65 PN16 ANSI 2.5 in / 150#	148 (5.8)	186.5 (7.3)



ALHX65

Data Sheet



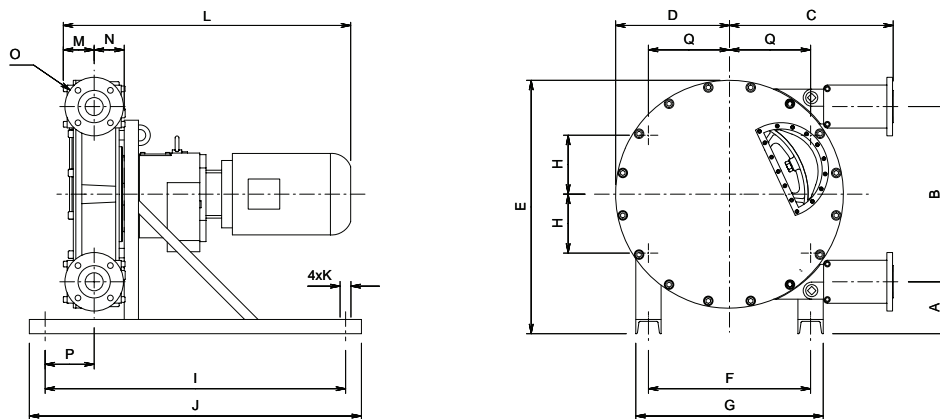
*Intermittent use : minimum one hour stop after 2 hours run / *Occasional use : maximum one hour a day

SHOE SHIMMING TABLE - ALHX65		
Pressure bar (psi)	Speed - Rpm	Number of shims* - thickness 0.5 mm (0.019 in)
ΔP ≤ 5 (72.5)	0 to 25	0
	25 to 65	0
5 (72.5) ≤ ΔP ≤ 7.5 (108.75)	0 to 25	2
	25 to 46	1
7.5 (108.75) ≤ ΔP ≤ 10 (145)	0 to 25	3
	25 to 40	2
10 (145) ≤ ΔP ≤ 15 (217.5)	0 to 25	4
	25 to 31	3

*Remove one shim if temperature exceeds 60° Celsius (140° Fahrenheit)

DIMENSIONS

mm (Inch)

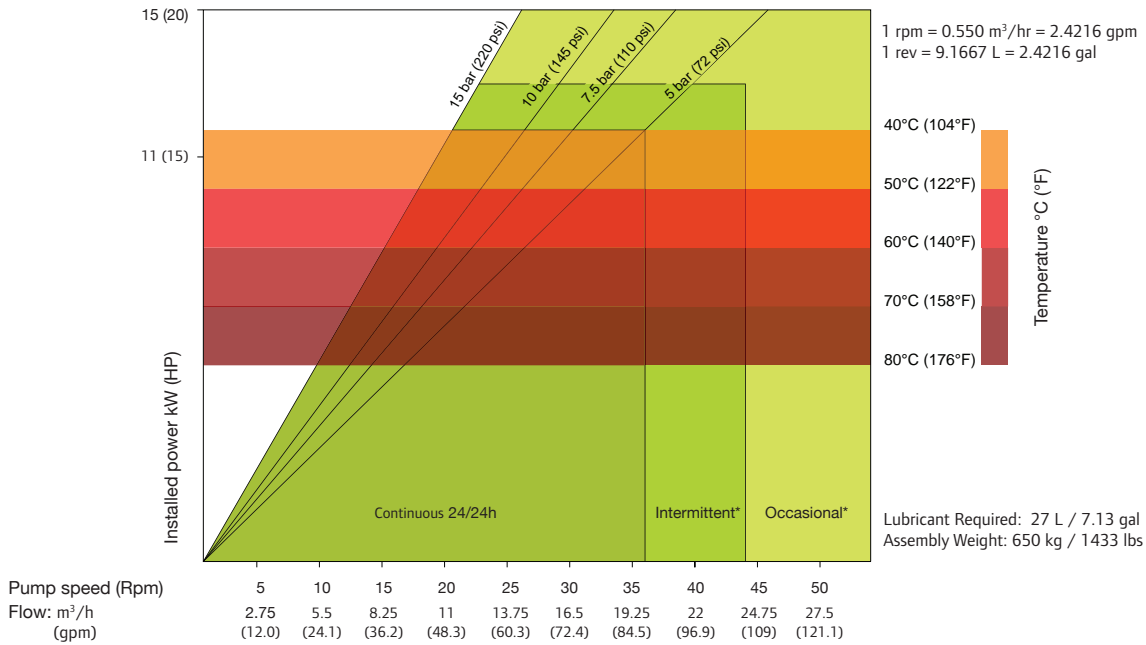


TYPE	A	B	C	D	E	F	G	H	I	J	K	L	M	N	O	P	Q
ALHX65	143 (5.6)	597 (23.5)	598 (23.5)	390 (15.3)	831 (32.7)	513 (20.1)	593 (23.3)	186 (7.3)	950 (37.4)	1050 (41.3)	4xø19 (4xø0.7)	-	113 (4.4)	113 (4.4)	DN65 PN16 ANSI 2.5 in / 150#	136 (5.3)	256 (10.0)



ALHX80

Data Sheet



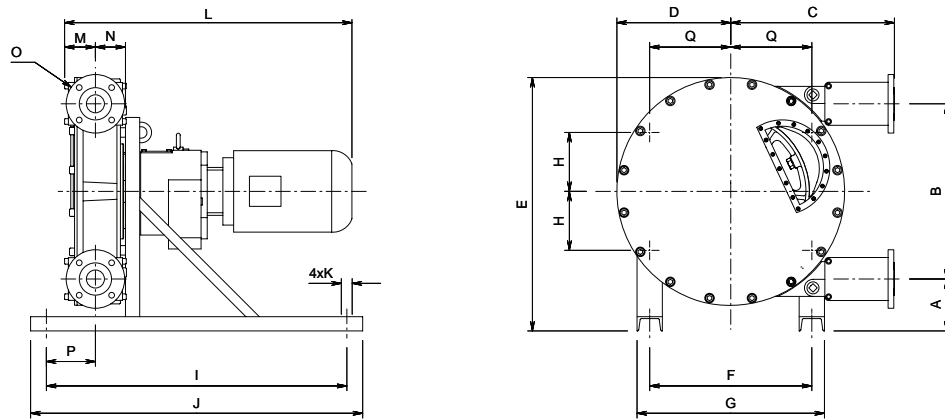
*Intermittent use : minimum one hour stop after 2 hours run / *Occasional use : maximum one hour a day

SHOE SHIMMING TABLE - ALHX80		
Pressure bar (psi)	Speed - Rpm	Number of shims* - thickness 0.5 mm (0.019 in)
$\Delta P \leq 5$ (72.5)	0 to 25	0
	25 to 65	0
5 (72.5) $\leq \Delta P \leq 7.5$ (108.75)	0 to 25	2
	25 to 46	1
7.5 (108.75) $\leq \Delta P \leq 10$ (145)	0 to 25	3
	25 to 40	2
10 (145) $\leq \Delta P \leq 15$ (217.5)	0 to 25	4
	25 to 31	3

*Remove one shim if temperature exceeds 60° Celsius (140° Fahrenheit)

DIMENSIONS

mm (Inch)

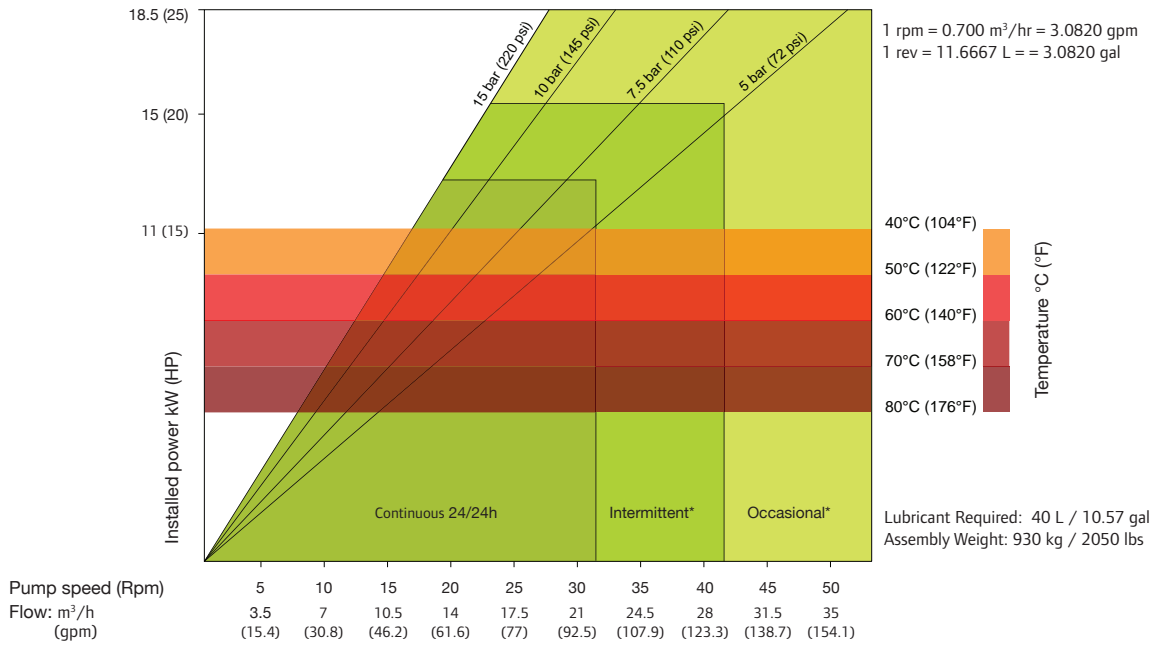


TYPE	A	B	C	D	E	F	G	H	I	J	K	L	M	N	O	P	Q
ALHX80	158 (6.2)	746 (29.4)	609 (24)	473 (18.6)	1004 (39.5)	580 (22.8)	680 (26.8)	290 (11.4)	1150 (45.2)	1250 (49.2)	4xø19 (4xø0.7)	-	108 (4.2)	108 (4.2)	DN80 PN16 ANSI 3 in / 150#	167 (6.6)	290 (11.4)



ALH80

Data Sheet



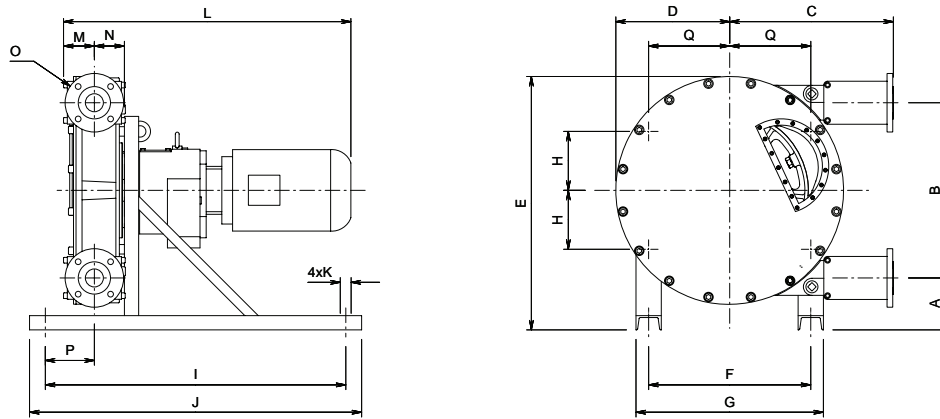
*Intermittent use : minimum one hour stop after 2 hours run / *Occasional use : maximum one hour a day

SHOE SHIMMING TABLE - ALH80		
Pressure bar (psi)	Speed - Rpm	Number of shims* - thickness 0.5 mm (0.019 in)
$\Delta P \leq 5$ (72.5)	0 to 20	0
	20 to 60	0
5 (72.5) $\leq \Delta P \leq 7.5$ (108.75)	0 to 20	2
	20 to 47	1
7.5 (108.75) $\leq \Delta P \leq 10$ (145)	0 to 20	3
	20 to 37	2
10 (145) $\leq \Delta P \leq 15$ (217.5)	0 to 20	4
	20 to 31	3

*Remove one shim if temperature exceeds 60° Celsius (140° Fahrenheit)

DIMENSIONS

mm (Inch)

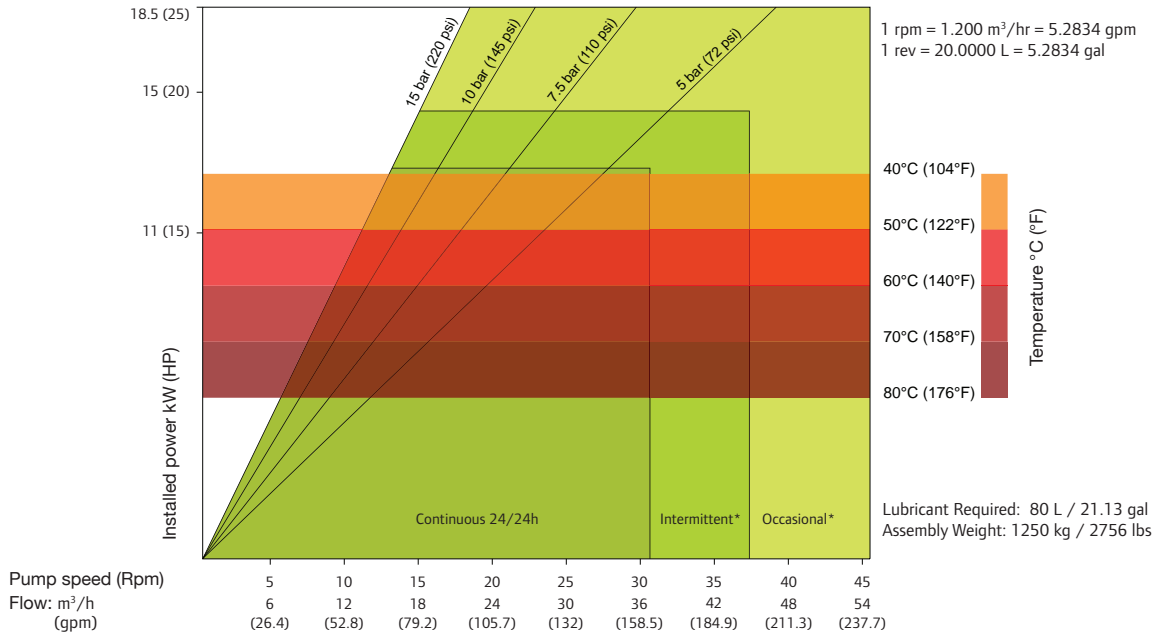


TYPE	A	B	C	D	E	F	G	H	I	J	K	L	M	N	O	P	Q
ALH80	266 (10.5)	876 (34.5)	803 (31.6)	561 (22.0)	1265 (49.8)	690 (27.2)	830 (32.3)	345 (13.6)	1300 (51.2)	1400 (55.1)	4xø27 (4xø1.0)	-	125 (4.9)	108.5 (4.3)	DN80 PN16 ANSI 3 in / 150#	202 (7.8)	345 (13.6)



ALH100

Data Sheet



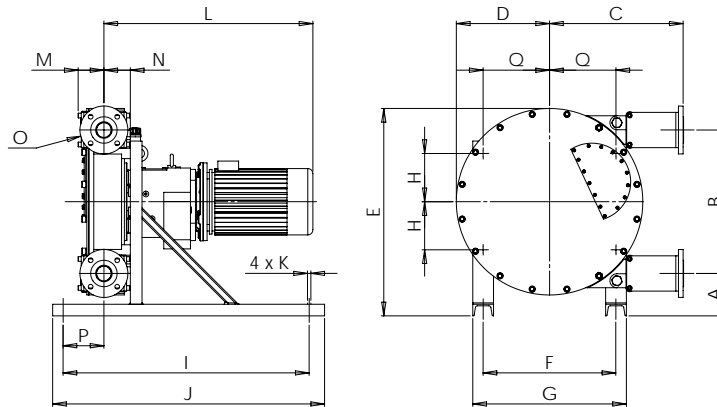
*Intermittent use : minimum one hour stop after 2 hours run / *Occasional use : maximum one hour a day

SHOE SHIMMING TABLE - ALH100		
Pressure bar (psi)	Speed - Rpm	Number of shims* - thickness 0.5 mm (0.019 in)
$\Delta P \leq 5 (72.5)$	0 to 15	0
	15 to 50	0
$5 (72.5) \leq \Delta P \leq 7.5 (108.75)$	0 to 15	2
	15 to 32.5	1
$7.5 (108.75) \leq \Delta P \leq 10 (145)$	0 to 15	3
	15 to 25	2
$10 (145) \leq \Delta P \leq 15 (217.5)$	0 to 15	4
	15 to 20	3

*Remove one shim if temperature exceeds 60° Celsius (140° Fahrenheit)

DIMENSIONS

mm (Inch)

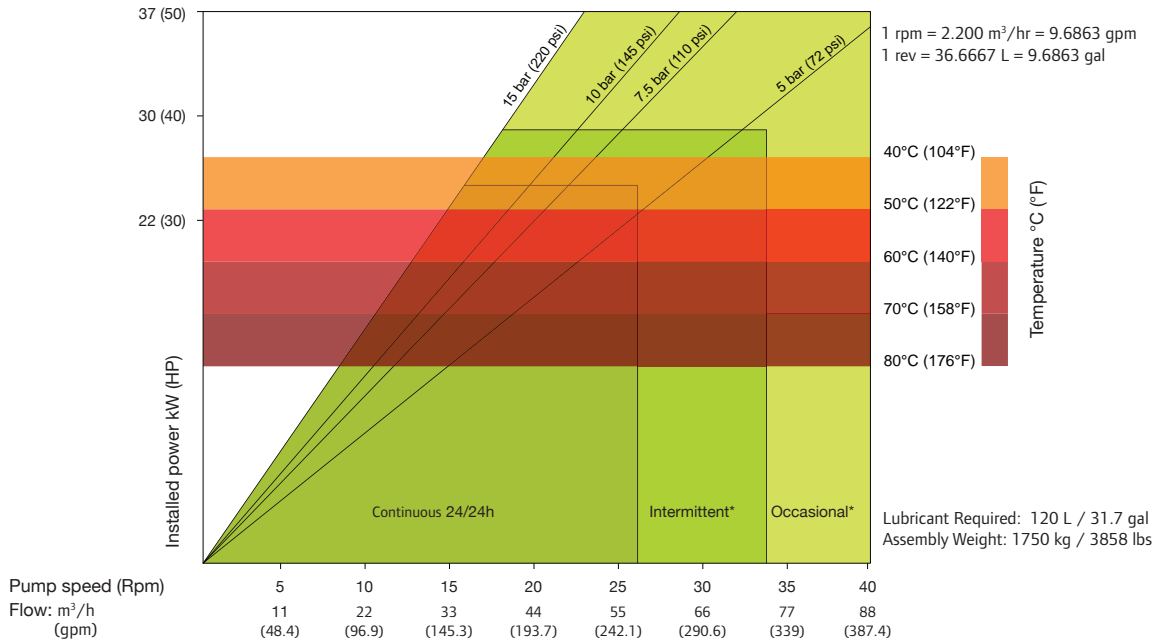


TYPE	A	B	C	D	E	F	G	H	I	J	K	L	M	N	O	P	Q
ALH100	300 (11.8)	1040 (40.9)	911 (35.9)	698 (27.5)	1516 (59.7)	820 (32.3)	960 (37.8)	387 (15.2)	1900 (74.8)	2000 (78.7)	4xø27 (4xø1.0)	-	147 (5.8)	131 (5.1)	DN100 PN16 ANSI 4 in / 150#	361 (14.2)	387 (15.2)



ALH125

Data Sheet



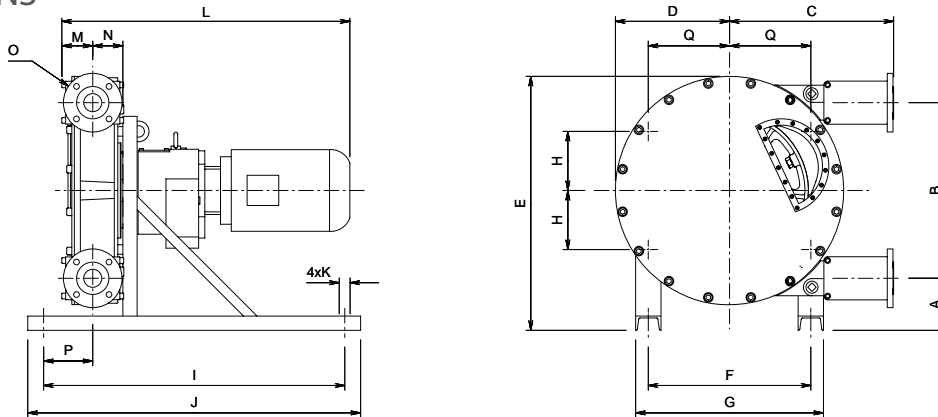
*Intermittent use : minimum one hour stop after 2 hours run / *Occasional use : maximum one hour a day

SHOE SHIMMING TABLE - ALH125		
Pressure bar (psi)	Speed - Rpm	Number of shims* - thickness 0.5 mm (0.019 in)
$\Delta P \leq 5$ (72.5)	0 to 10	0
	10 to 35	0
$5 (72.5) \leq \Delta P \leq 7.5$ (108.75)	0 to 10	2
	10 to 27.5	1
$7.5 (108.75) \leq \Delta P \leq 10$ (145)	0 to 10	3
	10 to 25	2
$10 (145) \leq \Delta P \leq 15$ (217.5)	0 to 10	4
	10 to 20	3

*Remove one shim if temperature exceeds 60° Celsius (140° Fahrenheit)

DIMENSIONS

mm (Inch)



TYPE	A	B	C	D	E	F	G	H	I	J	K	L	M	N	O	P	Q
ALH125	258.5 (10.2)	1273 (50.1)	1037 (40.8)	818 (32.2)	1715 (67.5)	1000 (39.4)	1160 (45.7)	500 (19.7)	1900 (74.8)	2000 (78.7)	4xø27 (4xø1.0)	-	160.5 (6.3)	144.5 (5.7)	DN125 PN16 ANSI 5 in / 150#	363.5 (14.3)	500 (19.7)

Distributed by:

www.albinpump.com

albinpump@irco.com



About Ingersoll Rand Inc.

Albin Pump is a brand of Ingersoll Rand and part of the Precision and Science Technologies (PST) business segment. PST consists of a portfolio of complementary, mission critical brands such as Milton Roy®, ARO®, LMI®, Albin Pump, Thomas®, Welch®, Haskel®, Dosatron®, YZ®, Williams®, MP® and Oberdorfer®.

At PST, we deliver solutions for precision dosing and transfer of high value fluids in various markets such as medical, food and beverage, water and hydrogen. For more information, visit www.IRco.com.

We are committed to using environmentally conscious print practices

©2021 Ingersoll Rand
IRITS-0221-003 EN 1121